



Sensor-actuator cable

Field-attachable connectors

Junction blocks

Sensor-actuator splitters

Sensor-actuator receptacles

Data connectors

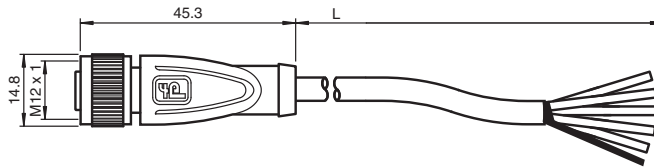
## Features

- Knurled nut suitable for tool mounting
- Mechanical detent for vibration protection
- Gold-plated and machined contacts

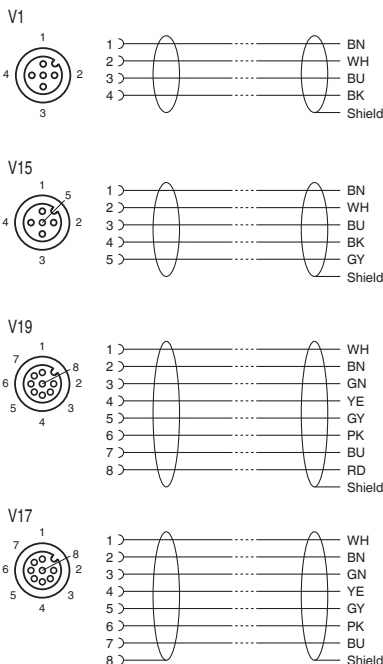
## Technical data

Number of pins	4	5	8	7 + 1 x shield
<b>Electrical data</b>				
Operating voltage $U_B$	Max. 250 V AC/DC	Max. 60 V AC/DC	Max. 30 V AC/DC	
Operating current	Max. 4 A		Max. 2 A	
Volume resistance	< 5 m $\Omega$			
<b>Ambient conditions</b>				
Ambient temperature	-40 ... 90 °C for body Information on cable quality can be found beginning on page 10			
Degree of pollution	3			
<b>Mechanical data</b>				
Contact elements	Spring-loaded contact sockets			
Degree of protection	IP67			
<b>Material</b>				
Contacts	CuSn / Au			
Contact surface	Au			
Body	TPU, green			
Coupling nut	Die-cast zinc			
Shield	Braided			

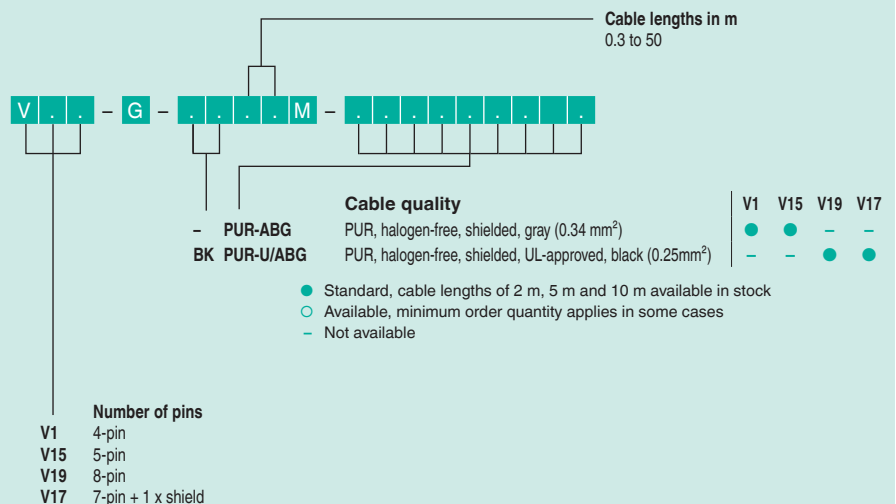
## Dimensions



## Electrical connection



## Order codes





## Features

- Knurled nut suitable for tool mounting
- Mechanical detent for vibration protection
- Gold-plated and machined contacts

## Technical data

Number of pins	4	5	8	7 + 1 x shield
<b>Electrical data</b>				
Operating voltage $U_b$	Max. 250 V DC	Max. 60 V DC	Max. 30 V DC	
Operating current	Max. 4 A		Max. 2 A	
Volume resistance	< 5 mΩ			
<b>Ambient conditions</b>				
Ambient temperature	-40 ... 90 °C for body Information on cable quality can be found beginning on page 10			
Degree of pollution	3			
<b>Mechanical data</b>				
Contact elements	Spring-loaded contact sockets			
Degree of protection	IP67			
<b>Material</b>				
Contacts	CuSn / Au			
Contact surface	Au			
Body	TPU, green			
Coupling nut	Die-cast zinc			
Shield	Braided			

Sensor-actuator cable

Field-attachable connectors

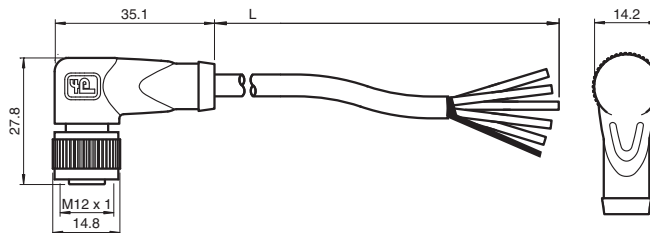
Junction blocks

Sensor-actuator splitters

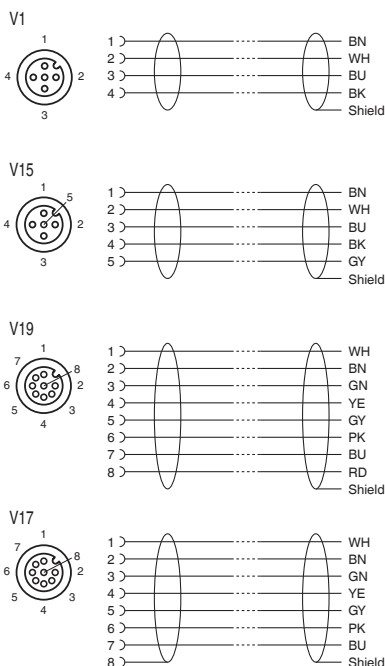
Sensor-actuator receptacles

Data connectors

## Dimensions



## Electrical connection



## Order codes

